



KNX TP to ASCII IP & Serial Server Application

Integrate any KNX device or installation, with an ASCII BMS or any ASCII IP or ASCII serial controller. The aim of this integration is to make accessible KNX communication objects and resources from an ASCII based control system or device, as if it was a part of the own ASCII system and vice-versa.

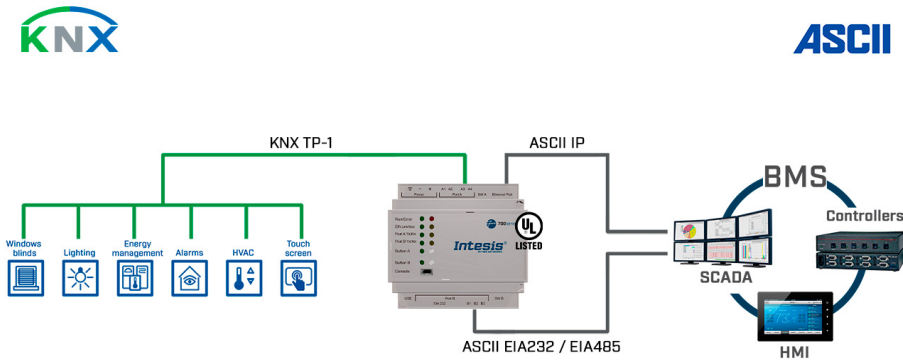


FEATURES

- UL Certified
- Support for both ASCII IP and ASCII Serial (232/485)
- Automatically send a write request to the ASCII bus when its value changes
- Use personalized ASCII strings
- Support for KNX TP devices
- Control up to 3000 KNX communication objects
- Easy integration & updates with Intesis MAPS

Use Case

Integration of KNX devices into an ASCII controlled installation.



Description

This bidirectional gateway provides a straightforward and fast integration thanks to its unique onboard features. Thanks to its support for custom ASCII strings, a seamless integration with any ASCII BMS or controller it is guaranteed. The configuration is carried out using the Intesis MAPS software. This one allows you to define your own settings for the device. Also, it will be able to download all the available project templates or to import any created/exported project template on your computer.

Technical Documentation

Installation Manual	Learn how to install the device in your project	Download
Application Wiring Diagram	Review your specific application wiring diagram	Download

User Manual	General information about this product	Download
BACnet Server PIC statement	BACnet Server Protocol Implementation Conformance Statement 700 series	Download
BACnet Client PIC statement	BACnet Client Protocol Implementation Conformance Statement 700 series	Download
EC Declaration of Conformity	Check the product certification	Download
UKCA Certification	Check the product UKCA Certification	Download
KC Certification	Check the product KC Certification	Download

Programming Tool

Intesis MAPS	Get access to download the configuration software tool	Download
eLearning course	Learn the secrets of Intesis MAPS	Enroll now

Commercial Documentation

Intesis Brochure	Know more about the Intesis current available products	Download
------------------	--	----------

File	Version	Size	Read online
------	---------	------	-------------

ORDER CODES:

IN701KNX1000000	Intesis protocol translator with KNX, Serial and IP support - 100 points
IN701KNX2500000	Intesis protocol translator with KNX, Serial and IP support - 250 points
IN701KNX6000000	Intesis protocol translator with KNX, Serial and IP support - 600 points
IN701KNX1K20000	Intesis protocol translator with KNX, Serial and IP support - 1200 points
IN701KNX3K00000	Intesis protocol translator with KNX, Serial and IP support - 3000 points

→ For older version, please click here to find the documentation

INCLUDED COMPONENTS:

- Intesis Gateway.
- Installation Manual.
- USB Configuration cable.
- (Power supply not included).

Warranty: 36 months.

Copyright © 2020 HMS Industrial Networks - All rights reserved.

Order Number	Description	Intesis MAPS template	Application
IN701KNX***0000	Intesis Protocol Translator with KNX, Serial and IP support - xxx points	IN-MBS-KNX	KNX to Modbus server
		IN-KNX-MBM	Modbus client to KNX
		IN-BAC-KNX	KNX to BACnet server
		IN-KNX-BAC	BACnet client to KNX
		IN-ASCII-KNX	KNX to ASCII server