

Chassis Touch Monitor



42"(16:9)

Specifications

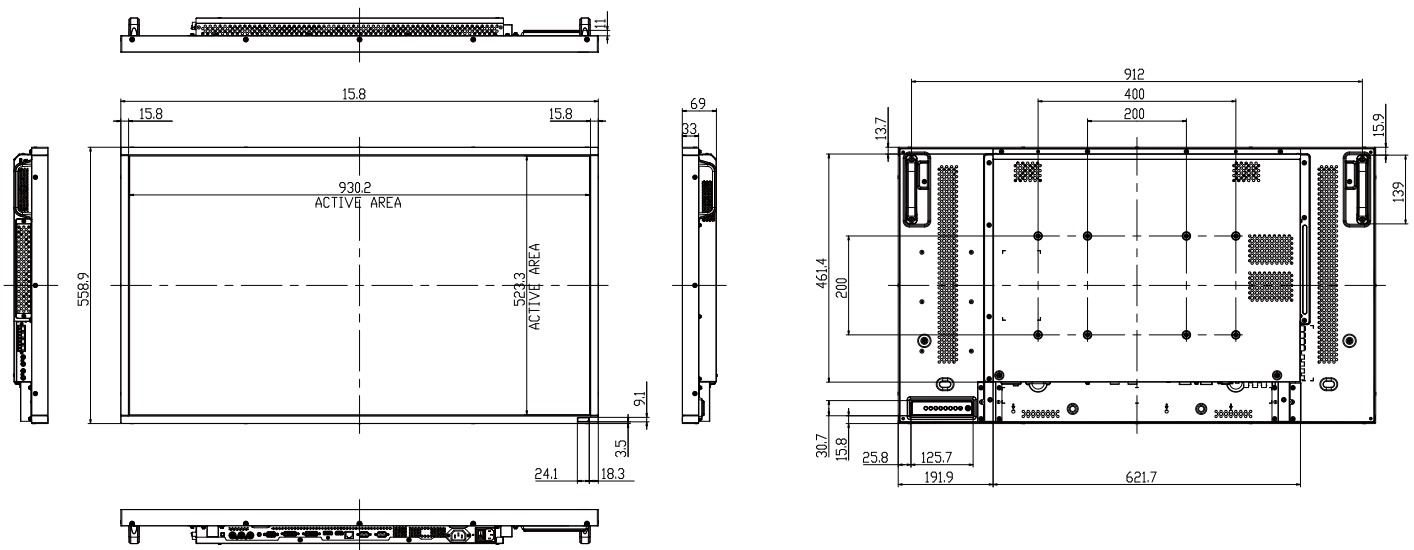


Model Name	W42L100-OML2
Viewable Size Image	42" (16:9)
Active Display Area(mm)	930.24 (H) x 523.26 (V)
Pixel Pitch(mm)	0.4845
Number of Pixels	1920 x 1080
Contrast Ratio	5000:1(typ.)
Display Color	16.7M(8bits/color)
Brightness(cd/m)	500(typ.)
Viewing Angle(CR>=10)	-89~89(H);-89~89(V)
Synchronization Range Horizontal/Vertical	31.5~91.1KHz / 50~85Hz
Recommended Resolution	1920 x 1080 @ 60Hz
Input Signal	VGA (D-sub) DVI-D HDMI Composite (BNC) S-video In (Mini Din 4 Pin) Component (BNC) Audio RJ-45 (For Remote Control) RS232 (For Remote Control)
Output Signal	VGA (D-sub) Video (BNC) Audio RS232 (For Remote Control)
Internal Speaker	10W + 10W
Power Source	AC100~240V, Universal, 10%
Operating Temperature	5~40degC
Operating Humidity	20~80% (without condensation)
Dimension	965.8mm(W)x558.8mm(H)x69.0mm(D)
VESA compatible arm mounting interface	200 x 200 mm/ 400 x 200mm

Rev.	Reasons	Revised Date
1.6	Spec change	May-12-14
1.7	Spec change	Jun-11-14

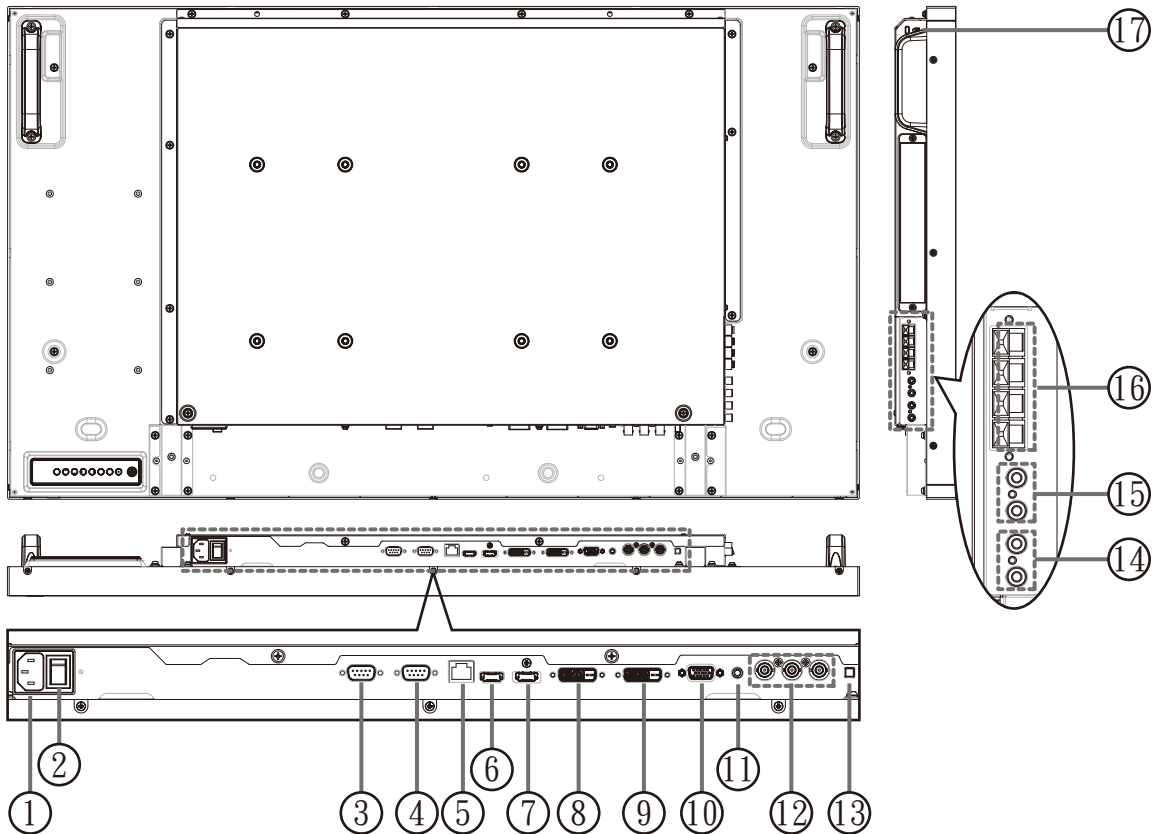
Chassis Touch Monitor

Mechanical Drawing



- * Please refer to next page for detail I/O introduction.
- * Note: this is a simplified drawing and some components are not marked in detail. Please contact our sales representative if you need further product information.

Chassis Touch Monitor



- ① **AC IN**
AC power input from the wall outlet.
- ② **MAIN POWER SWITCH**
Switch the main power on/off.
- ③ **RS232C OUT**
RS232C network output for the loop-through function.
- ④ **RS232C IN**
RS232C network input for the loop-through function.
- ⑤ **RJ-45**
LAN port connection from your OPS device.
- ⑥ **HDMI IN**
HDMI video/audio input.
- ⑦ **DisplayPort**
DisplayPort video input.
- ⑧ **DVI IN**
DVI-D video input.
- ⑨ **DVI OUT / VGA OUT**
DVI or VGA video output.
- ⑩ **VGA IN (D-Sub)**
VGA video input.
- ⑪ **VGA AUDIO IN**
Audio input for VGA source (3.5mm stereo phone).
- ⑫ **COMPONENT IN (BNC)**
Component YPbPr video source input.
- ⑬ **SPEAKER SWITCH**
Internal speaker on/off switch.
- ⑭ **AUDIO IN**
Audio input from external AV device (RCA).
- ⑮ **AUDIO OUT (RCA)**
Audio output from the AUDIO IN jack to an external AV device.
- ⑯ **SPEAKERS OUT**
External speakers output.
- ⑰ **KENSINGTON LOCK**
Used for security and theft prevention.