

# Open Frame LCD

## Open Frame LCD

### 10.1" (16:9)

#### Specifications

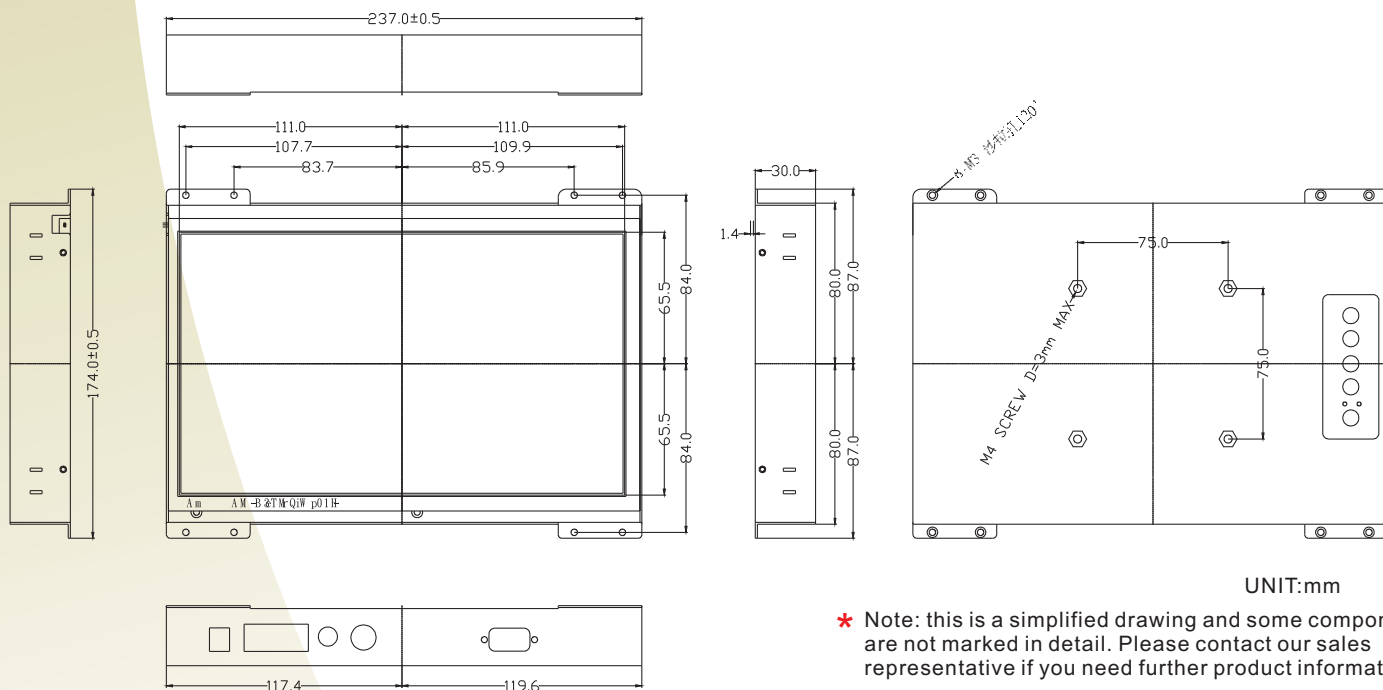


Model Name	W10L100-OFH1
Viewable Size Image	10.1"(16:9)
Active Display Area(mm)	220.416 (H) x 129.15 (V)
Pixel Pitch(mm)	0.21525 (H) x 0.21525 (V)
Number of Pixels	1024x768
Synchronization Range_	31.5~46.9KHz / 60~75Hz
Horizontal / Vertical	
Recommended Resolution	1024x600@60Hz
Contrast Ratio	500:1 (typ.)
Brightness(cd/m <sup>2</sup> )	200 (typ.)
Viewing Angle(CR>=10)	-70~70 (H); -60~50 (V)
Power Source	12V DC in, with External AC to DC Adapter (100~240V AC)
Power Consumption	7 W typical, normal operation
Power Management	VESA DPMS Compliant
Optional Video Input	S-Video, Composite
Plug & Play	Yes
Support Video Signal Type	NTSC/PAL
Optional DVI Input	No
Optional Touch Screen	4 Wire Resistive

Note: The LCD is aligned with Open Frame housing. There will be extra height with glass or touch.



#### Mechanical Drawing



UNIT:mm

\* Note: this is a simplified drawing and some components are not marked in detail. Please contact our sales representative if you need further product information.

Rev.	Reasons	Revised Date
1.4	Spec change	Nov-14-12
1.5	Drawing change	Dec-10-12
1.6	Pic change	Jun-03-13