

Open Frame LCD

Open Frame LCD

10.4"

Specifications

RoHS
COMPLIANT
2002/95/EC

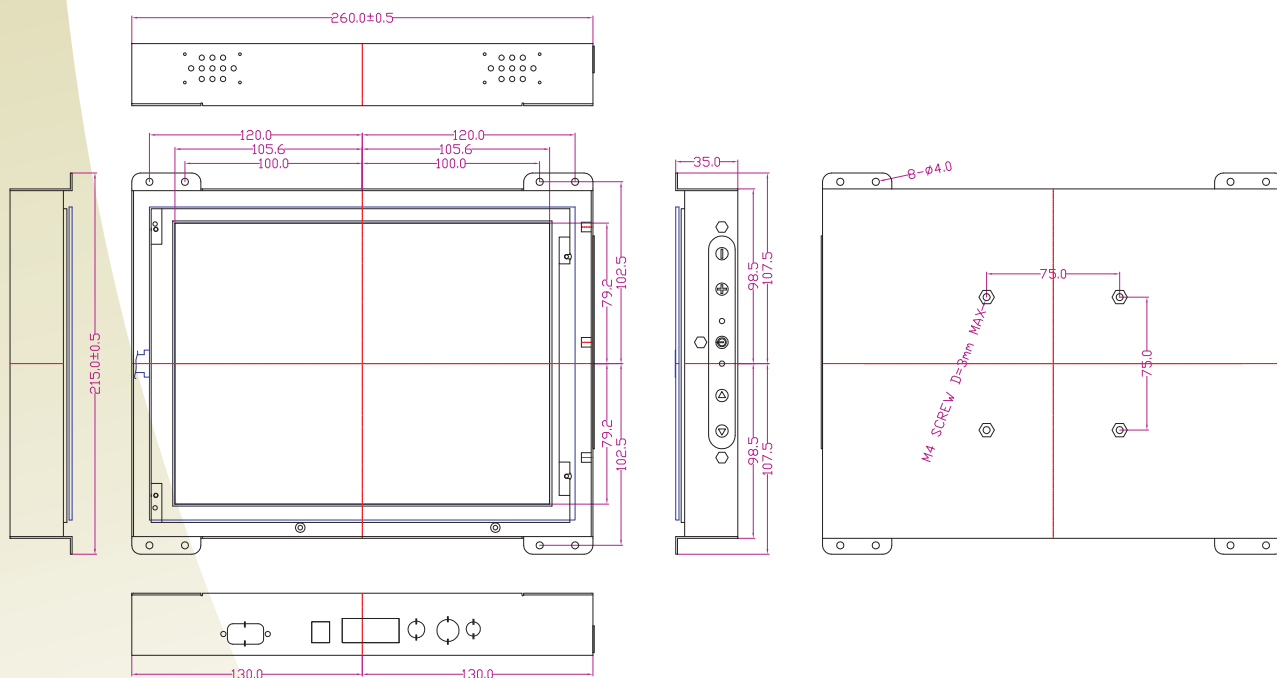
Model Name	R10L600-OFP1
Viewable Size Image	10.4"
Active Display Area(mm)	211.2(H)x158.4(V)
Pixel Pitch(mm)	0.264(H)x0.264(V)
Number of Pixels	800x600
Contrast Ratio	400:1(typ.)
Display Color	262,144(6bit/colors)
Brightness(cd/m ²)	400(typ.)
Viewing Angle(CR>=10)	-70~70(H);-60~70(V)
Synchronization Range	
Horizontal/Vertical	31.5~46.9KHz/60~75Hz
Recommended Resolution	800x600@60Hz, 75Hz
Signal Connector	15 pin D-Sub
Power Source	12V DC in, with External AC to DC Adapter (100~240V AC)
Power Consumption	18W typical, normal operation
Power Management	VESA DPMS Compliant
Plug & Play	VESA DDC 1/2B
Optional Video Input	S-Video, Composite
Optional DVI Input	No
Optional Touch Screen	Resistive, SAW, IR

Remarks:R10L600 series= VGA input only

R10L630 series= VGA+Video Input



Mechanical Drawing



* Note: this is a simplified drawing and some components are not marked in detail. Please contact our sales representative if you need further product information.

UNIT:mm

Rev.	Reasons	Revised Date
1.2	Spec change	Nov-14-12
1.3	Spec change	Jul-05-13
1.4	Spec change	Nov-14-13