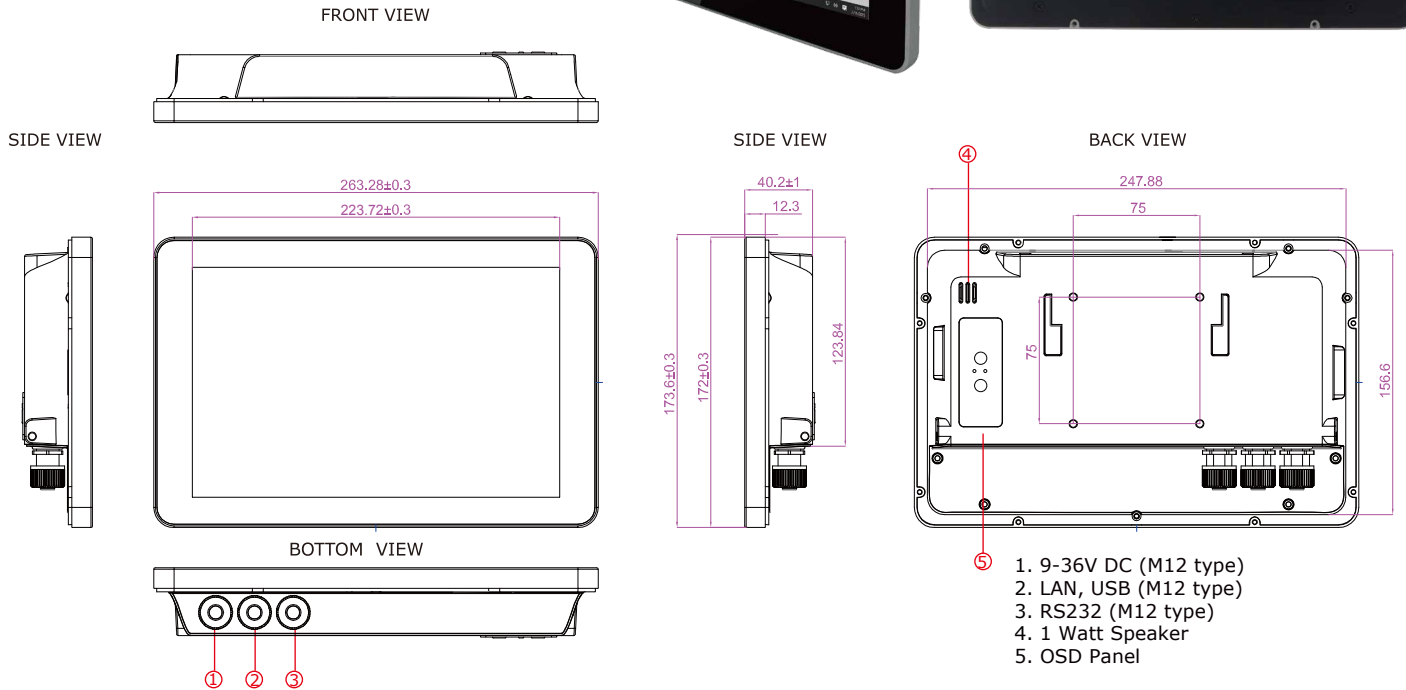


10.1" GS65 Panel PC

W10IB3S-GSH1

Features

- 10.1" 1024 x 600 Resolution with Projected Capacitive Multi-Touch (P-CAP)
- Intel® Celeron® Bay Trail-M N2930 1.83 GHz
- Fanless cooling system and ultra-low power consumption
- Edge-to-edge design
- Full IP65 design with Special M12 Waterproof connectors
- 1 x LAN, 1 x RS232, 1 x USB 2.0



Specifications

System

- Processor : Intel® Celeron® Bay Trail-M N2930 1.83GHz
- System Chipset : Intel® ATOM SoC Integrated
- System Memory : 2GB DDR3L 1600 SODIMM (max. 8GB)
- Storage : 64GB mSATA SSD

Input / Output

- COM Port : 1 x RS232 (M12 type)(Optional 422/485)
- USB Port : 1 x USB 2.0 (M12 type)
- Ethernet : 1 x 10/100/1000 LAN (M12 type)
- Speaker : 1 x 1 Watt Speaker

Display Spec

- Size/Type : 10.1" TFT (Wide screen)
- Resolutions : 1024 x 600
- Brightness : 450nits (typ.)
- Contrast Ratio : 800 : 1 (typ.)
- Viewing Angle : -75~80(H);-80~80(V)
- Max Colors : 16.7M
- Touch : Projective-Capacitive Touch

Power Specifications

- Power Input : 9-36V DC (M12 type)
- Power Consumption : 20W

Software Support

- Watchdog SDK

Mechanical Specification

- Cooling System : Fanless design
- Mounting : VESA Mount(75x75mm), Panel Mount
- Dimension (W x H x D) : 263.28 x 172 x 40.2 (mm)

Environment Considerations

- Operating Temperature : -10 deg. C to 55 deg. C
- Operating Humidity : 10% to 95% (non-condensing)
- IP Rating : Full IP65
- Shock Operating : 30g for 18ms, 300m/s²
- Vibration Operating : 1.60/1.96/2.18 g rms for XYZ/ 5-500Hz

Operating System

- Operating System : Windows 10 IoT Enterprise
Windows Embedded 8.1 Industry Pro
Windows Embedded Standard 7

Security Support

- Trusted Platform Module (TPM 1.2)

Certifications & Standards

- Compliant with MIL-STD-810F/G for vibration / shock, CE, FCC

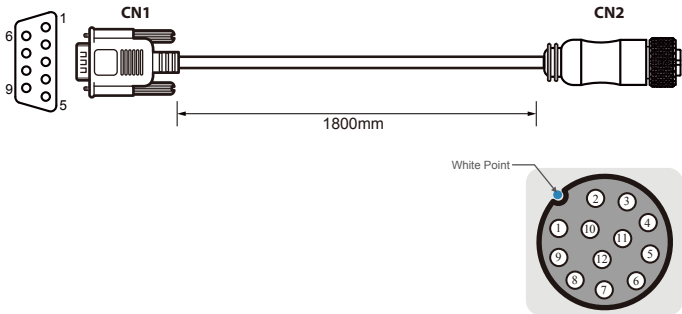


10.1" GS65 Panel PC

W10IB3S-GSH1

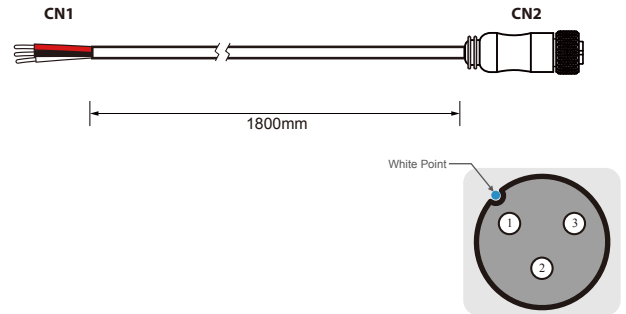
Pin Assignment of cables

RS-232 to M12 Cable



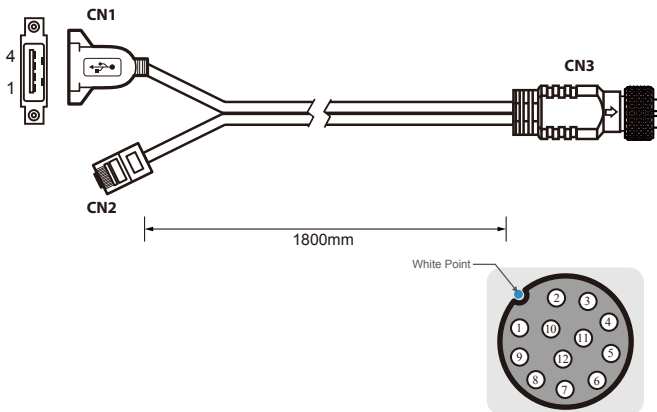
| Pin No. | Symbols | Color | | Pin No. | Symbols | Color |
|---------|---------|--------|---|---------|---------|--------|
| CN1-1 | DCD | Green | ↔ | CN2-1 | DCD | Green |
| CN1-6 | DSR | Brown | ↔ | CN2-2 | DSR | Brown |
| CN1-2 | RXD | Red | ↔ | CN2-3 | RXD | Red |
| CN1-7 | RTS | Orange | ↔ | CN2-4 | RTS | Orange |
| CN1-3 | TXD | Blue | ↔ | CN2-5 | TXD | Blue |
| CN1-8 | CTS | White | ↔ | CN2-6 | CTS | White |
| CN1-4 | DTR | Purple | ↔ | CN2-7 | DTR | Purple |
| CN1-9 | RI | Yellow | ↔ | CN2-8 | RI | Yellow |
| CN1-5 | GND | Black | ↔ | CN2-9 | GND | Black |

DC Power to M12 Cable



| Pin No. | Symbols | Color | | Pin No. | Symbols | Color |
|---------|---------|-------|---|---------|---------|-------|
| CN1-1 | VCC+ | Red | ↔ | CN2-1 | VCC+ | Red |
| CN1-2 | GND | Black | ↔ | CN2-2 | GND | Black |
| CN1-3 | VCC- | White | ↔ | CN2-3 | VCC- | White |

USB 2.0 & GIGA LAN to M12 Cable



| Pin No. | Symbols | Color | | Pin No. | Symbols | Color |
|---------|--------------|-------|---|---------|--------------|-------|
| CN3-1 | VCC | RED | ↔ | CN1-1 | VCC | RED |
| CN3-2 | D- | WHITE | ↔ | CN1-2 | D- | WHITE |
| CN3-3 | D+ | GREEN | ↔ | CN1-3 | D+ | GREEN |
| CN3-4 | GND | BLACK | ↔ | CN1-4 | GND | BLACK |
| CN3-5 | White/Orange | | ↔ | CN2-1 | White/Orange | |
| CN3-6 | Orange | | ↔ | CN2-2 | Orange | |
| CN3-7 | White/Green | | ↔ | CN2-3 | White/Green | |
| CN3-8 | Blue | | ↔ | CN2-4 | Blue | |
| CN3-9 | White/Blue | | ↔ | CN2-5 | White/Blue | |
| CN3-10 | Green | | ↔ | CN2-6 | Green | |
| CN3-11 | White/Brown | | ↔ | CN2-7 | White/Brown | |
| CN3-12 | Brown | | ↔ | CN2-8 | Brown | |

Twisted pairs