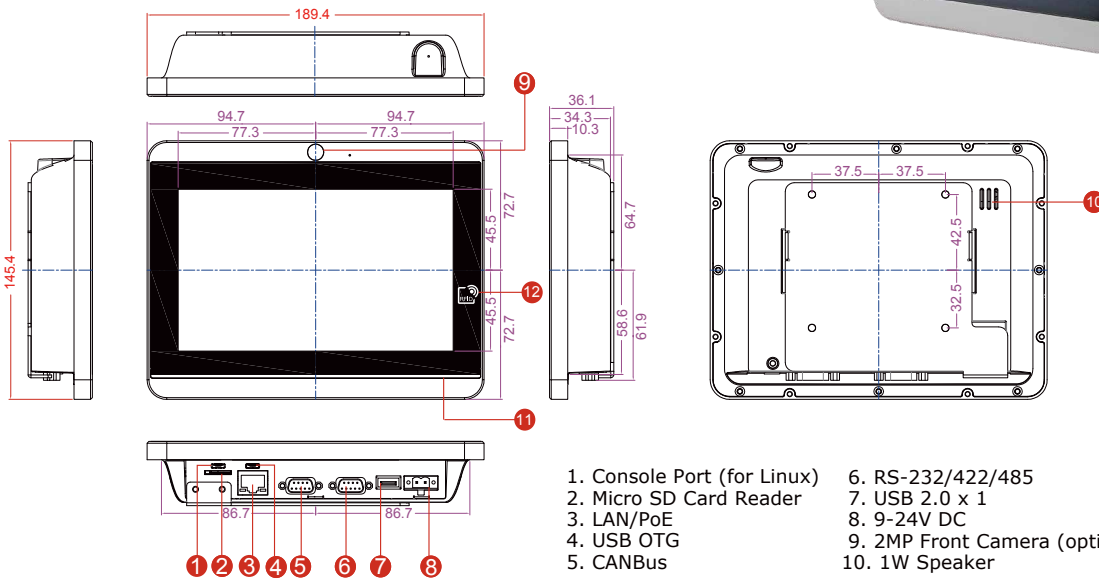


7" S-Series HMI - W07FA3S-PCM1-PoE

Features

- 7" 1024 x 600 Resolution with Projected Capacitive Multi-Touch (P-CAP)
- Fanless cooling system and ultra-low power consumption
- Support PoE
- Optional 2MP Front Camera
- Optional HF RFID Reader
- Stylish design for room booking, access control and room information applications



Specifications

System

- Processor : Freescale Cortex A9 i.MX6 Dual Core 1GHz (Optional Quad Core)
- System Chipset : Freescale i.MX6
- System Memory : 1GB LPDDR3 (Optional 2GB LPDDR3)
- Storage : 16 GB eMMC (default), Micro SD card
- Operating System : Android 4.4 (default)
Linux Kernel 4.1.5, QT 5.5 Browser (Optional)
Ubuntu 16.04 (Optional)

Input / Output

- Serial Ports : 1 x RS-232/422/485
- USB Ports : 1 x USB 2.0 host, 1 x USB OTG
- SD Card Slot : 1 x Micro SD Card Slot
- Ethernet : 1 x RJ 45-10/100/1000 Mbps
LAN support PoE function
- Speaker : 1 x 1 Watt Speaker
- CANBus : 1 x CANBus

Environment

- Operating Temperature : 0 °C to 50 °C
- Operating Humidity : 10% to 90% (non-condensing)
- IP Rating : Front: IP65 water and dust proof
Full: IP22

Software Support

- Programming Guide : Android 4.4 (Default)
Linux Kernel 4.1.15, QT5.5 (Optional)
Ubuntu 16.04 (Optional)

Display

- Size/Type : 7" TFT (Widescreen)
- Resolution : 1024 x 600
- Brightness : 320 cd/m (typ.)
- Contrast Ratio : 500:1 (typ.)
- Viewing Angle : -75~75(H); -70~75(V)
- Max Colors : 16.7M
- Touch : Projected Capacitive Multi-Touch (P-CAP)

Mechanical Specification

- Cooling System : Fanless design
- Mounting : VESA Mount (75x75mm), Panel Mount
- Dimensions(W x H xD) : 189.4 x 145.4 x 36.1 (mm)
- Cutout Dimensions (W x D): 131.4 x 175.4 (mm)

Power Considerations

- Power Input : 9-24V DC
- Power Over Ethernet : Power Device (PD) follows IEEE 802.3at (25 W), IEEE 802.3af (15 W)
- Power Consumption : 10W

Peripheral (Optional):

- RFID : HF RFID Reader 13.56 MHz
- Front Camera : 2MP Front Camera