

Type XF: Ex d Enclosure



Explosion / Flame proof



Introduction

This explosion / flame proof enclosure is specifically engineered to house our F-Series product range. Rugged and durable this enclosure will stand up to the most extreme conditions.

Features

- ☑ ATEX certified:  II 2 G / Ex d IIB T5 Gb
 II 2 D / Ex t IIIB T100°C Db
- ☑ Sturdy aluminum casing.
- ☑ Both Ex d housing and cable glands available in Stainless Steel 316L.
- ☑ IECEx certification available upon request.
- ☑ Enclosure contains four 9mm (0.35") mounting holes.
- ☑ Weight is approximately 15 kg.
- ☑ Three buttons available, which will stand up to all conditions.

Dimensions

- ☑ Outside: 300 x 250 x 200mm (11.8" x 9.9" x 7.9") L x H x D.
- ☑ Inside: 225 x 175 x 167 (8.9" x 6.9" x 6.6") L x H x D.

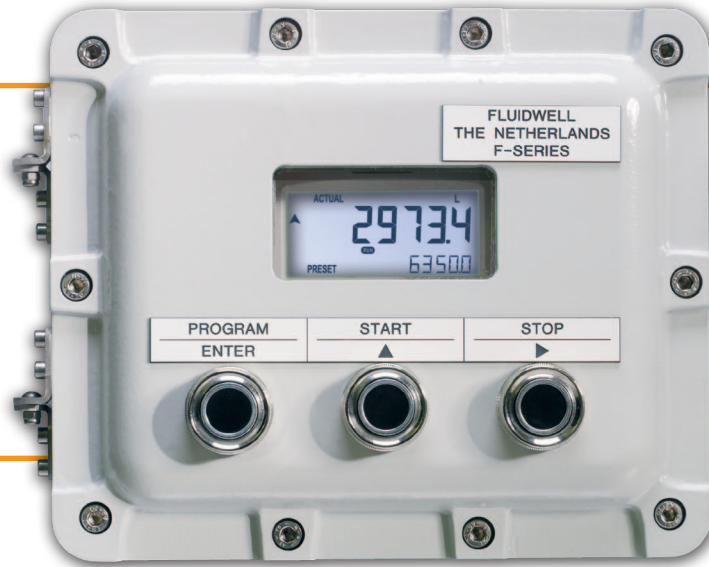
Datasheet Type XF

F-Series EX d Enclosure

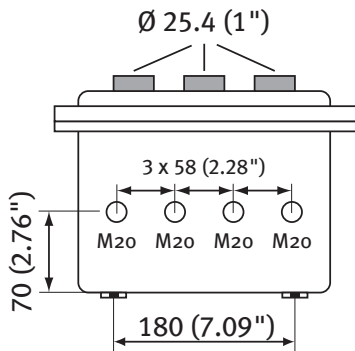
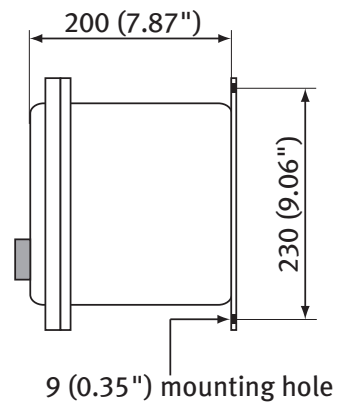
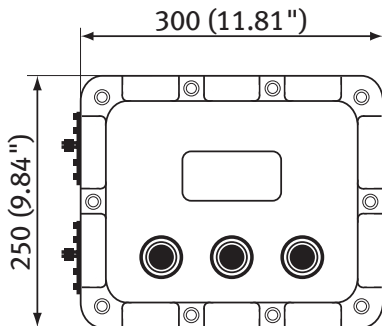


Reliable

Count on us.



Mounting dimensions



Fluidwell bv
P.O. Box 6 • 5460 AA • Veghel
Voltaweg 23 • 5466 AZ • Veghel
The Netherlands

Telephone: +31 (0) 413 - 343 786
Telefax: +31 (0) 413 - 363 443
Email: displays@fluidwell.com
Internet: www.fluidwell.com



Important: Specifications are subject to change without notice.
Copyright: Fluidwell bv - 2017 - EXD-DATA-EN-V1704