

Model 775 Slim Thru-Bore



Features

- Thru-Bore Design For Easy Mounting
- Bore Options to 32mm
- Incorporates Opto-ASIC Technology
- Resolutions to 4096 PPR
- 100° C Operating Temperature Available

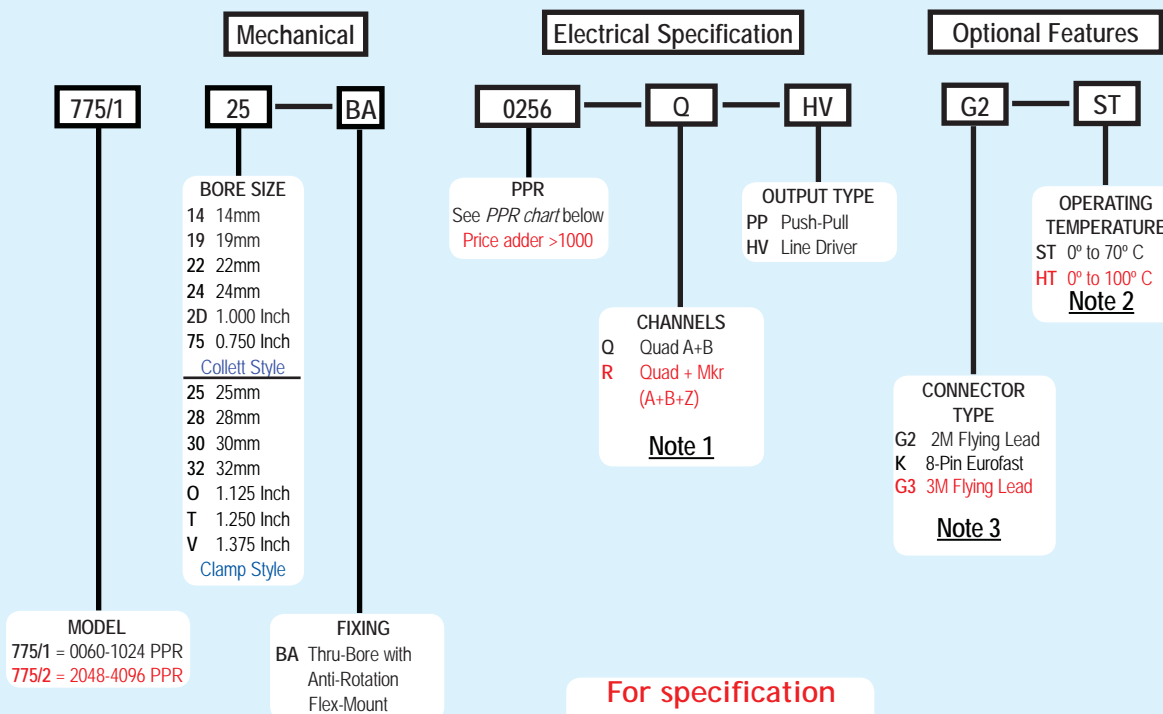
The sleek design of the Model 775 Thru-Bore Encoder makes form and function a successful reality. The slim profile and Thru-Bore design, makes installation easy by simply slipping the bore over motor shafts up to 32mm in diameter. The advanced Opto-ASIC based electronics provide the superior noise immunity necessary in many industrial applications. With a variety of bore sizes, resolutions, and connector types, application possibilities are endless.

Common Applications

Motor Feedback, Velocity & Position Control, Food Processing, Robotics, Material Handling

Model 775 Ordering Guide

Red type indicates price adder options. Not all configuration combinations may be available. Contact Customer Service for details.



For specification assistance call Customer Service at +44 (0)1978 262100

Model 775 PPR Options

0060	0100	0120	0240	0250	0256
0500	0512	0600	1000	1024	2048
2500	4096				

NOTES:

- 1 Contact Sales Office for index gating options.
- 2 5 to 24 VCC max for high temperature option.
- 3 For non-standard cable lengths, Please Contact the Sales Office.

Model 775 Slim Thru-Bore



Model 775 Specifications

Electrical

Input Voltage.....	4.75 to 28 VCC max for temperatures up to 70° C 4.75 to 24 VCC for temperatures between 70° C to 100° C
Input Current.....	100 mA max with no output load
Input Ripple.....	100 mV peak-to-peak at 0 to 100 kHz
Output Format.....	Incremental- Two square waves in quadrature with channel A leading B for clockwise shaft rotation, as viewed from the mounting face. See <i>Waveform Diagrams</i> below.
Output Types.....	Push-Pull- 20 mA max per channel Line Driver- 20 mA max per channel (Meets RS 422 at 5 VCC supply)
Index.....	Once per revolution. 0500 to 4096 PPR: Gated to output A 0001 to 0500 PPR: Ungated See <i>Waveform Diagrams</i> below.
Freq. Response.....	200 kHz
Noise Immunity.....	Tested to BS EN61000-4-2:IEC801-3; BS EN61000-4-4:DDENV 50141;DDENV 50204; BS EN55022:BS EN61000-6-2:BS EN50081-2
Symmetry.....	180° (±18°) electrical
Quad. Phasing.....	90° (±22.5°) electrical
Min. Edge Sep.....	67.5° electrical
Rise Time.....	Less than 1 microsecond

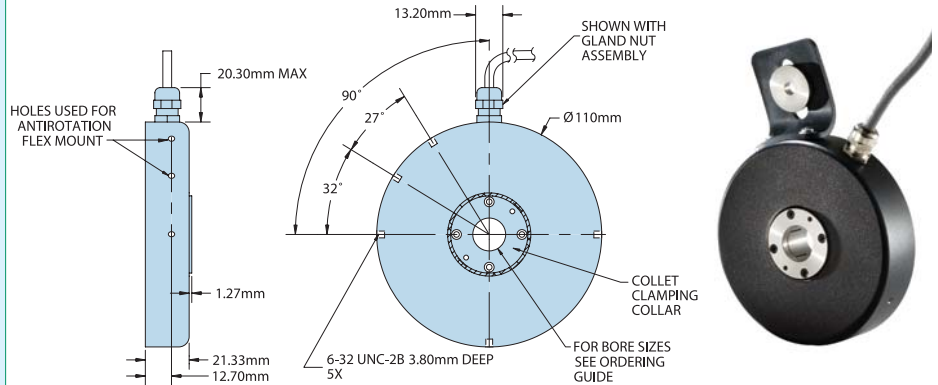
Mechanical

Max Shaft Speed.....	6000 RPM. Higher shaft speeds may be achievable, contact Customer Service.
Bore Size.....	See ordering chart
User Shaft Tolerances	
Radial Runout.....	0.15mm TIR
Axial Endplay.....	±0.70mm with style BA flex-mount
Electrical Conn.....	Gland nut with 2M cable (foil and braid shield, 24 AWG conductors), or 8-pin M12 (12 mm)
Housing.....	All metal construction
Mounting.....	Thru-Bore with collet clamp or single-screw clamp mount
Weight.....	455 gms Note: All weights typical

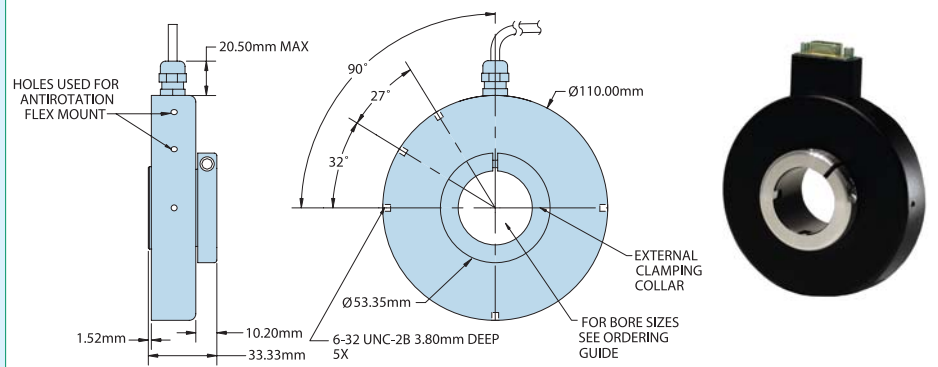
Environmental

Operating Temp.....	0° to 70° C for standard models 0° to 100° C for high temperature option
Storage Temp.....	-25° to 100° C
Humidity.....	98% RH non-condensing
Vibration.....	10 g @ 58 to 500 Hz
Shock.....	50 g @ 11 ms duration
Sealing.....	IP50

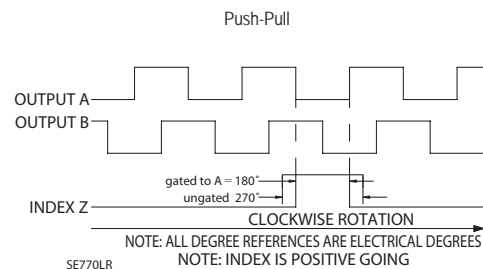
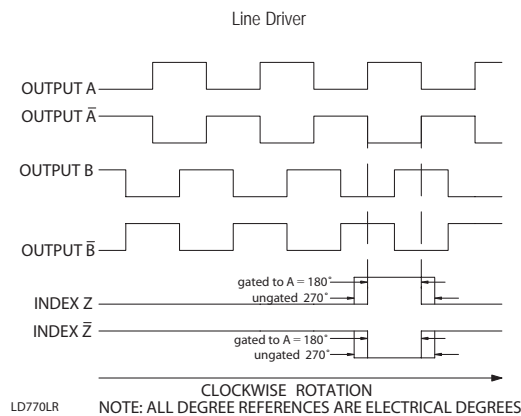
Model 775 Collet Style



Model 775 Clamp Style



Waveform Diagrams



Wiring Table

Function	Gland Cable Wire Color	8-pin M12
Com	Black	7
+VCC	Red	2
A	White	1
A'	Brown	3
B	Blue	4
B'	Violet	5
Z	Orange	6
Z'	Yellow	8
Shield	Bare	----
Case	----	----