

Model 702 Ultra Rugged 50.80mm Diameter



Features

- Standard Size 20 Package (50mm x 50mm)
- Flange, and Servo Mounting
- Up to 30,000 PPR
- 35 kg Max. Axial and Radial Shaft Loading
- IP65 Sealing Available

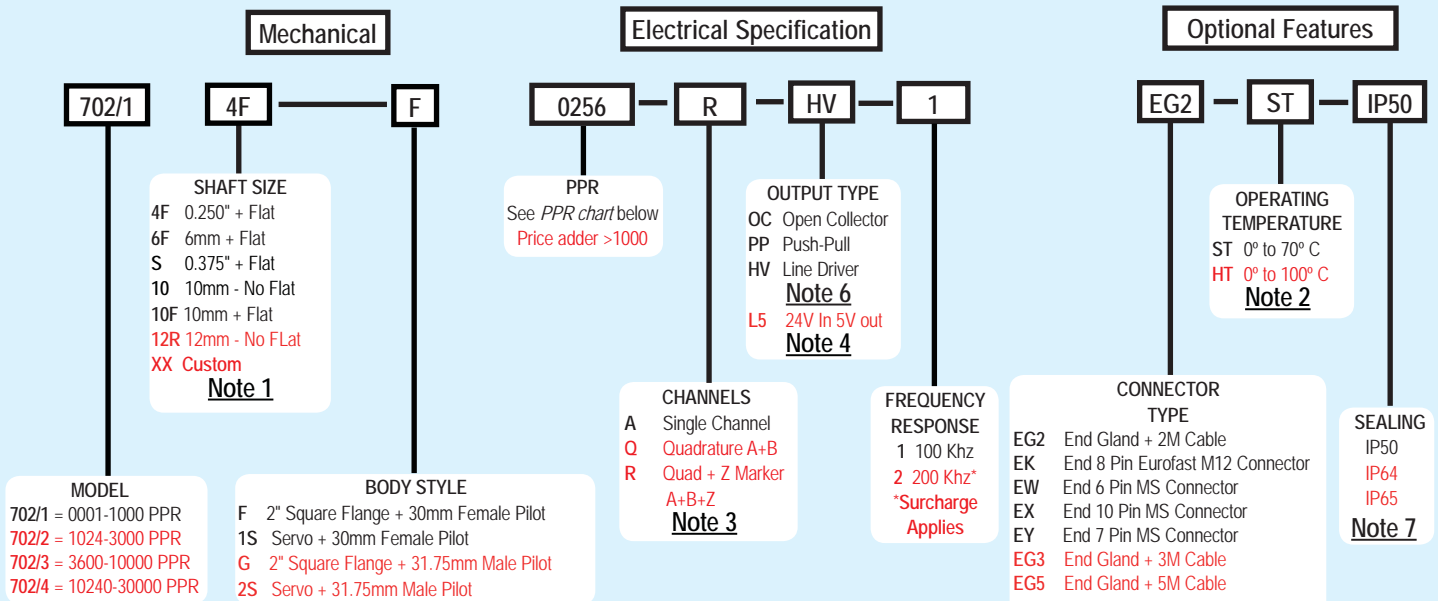
The Model 702 is a heavy duty, extremely rugged, reliable, yet compact industry standard 50.8mm diameter encoder, designed for harsh factory and plant floor environments. The double shielded ball bearings are rated at 35 kg maximum axial and radial shaft loading to ensure a long operating life. Made to withstand the harsh effects of the real world, both the flange and servo models are rated IP65 with the option of an extra heavy duty shaft seal. With a variety of mounting options in both the flange and servo models, the Model 702 is ideal for both new application and replacements. If you need an encoder that won't let you down, the Model 702 is it.

Common Applications

Motion Control Feedback, Conveyors, Elevator Controls, Machine Control, Food Processing, Process Control, Robotics, Material Handling, Textile Machines

Model 702 Ordering Guide

Red type indicates price adder options. Not all configuration combinations may be available. Contact Customer Service for details.



Model 702 PPR Options

0010*	0020	0025*	0030*	0040*	0060	0100	0120	0125
0128*	0144*	0150*	0160*	0200	0240*	0250	0254*	0256*
0300	0333*	0360	0400	0500	0512	0600	0625*	0635
0720	0800	0900*	1000	1024	1200 ^a	1250 ^a	1270 ^a	1440
1500	1800	2000	2048	2400 ^a	2500	2540 ^a	2880 ^a	3000 ^a
3600 ^a	4000 ^a	4096 ^a	5000 ^a	6000 ^a	7200 ^a	7500 ^a	9000 ^a	10,000 ^a
10,240 ^a	12,500 ^a	14,400 ^a	15,000 ^a	18,000 ^a	20,000 ^a	20,480 ^a	25,000 ^a	30,000 ^a

* Contact Customer Service for High Temperature Option.

^a High Temperature Option (H) limited to 85° C maximum for these PPR options.

New PPR values are periodically added to those listed. Contact Customer Service to determine all currently available PPR values. Special disk resolutions are available upon request.

A one-time NRE (Non Recurring Engineering) fee may apply.

For specification assistance call
Customer Service at
+44 (0)1978 262100

NOTES:

- 1 Contact Customer Service for additional options.
- 2 0° to 85° C for certain resolutions, see CPR Options.
- 3 Contact Customer Service for non-standard index gating options.
- 4 24 VDC max for high temperature option.
- 5 For non-standard cable lengths, call sales office for availability and cost.
- 6 Not available with 6-pin MS Type connector. Available with 7-pin MS Type connector only without Index Z.
- 7 Increased starting torque with IP64 & IP65 options.

