

AIM-37

Preliminary

10.1" Mobile POS Tablet



Features

- Industrial-Grade Panel with Anti-Glare, Anti-Fingerprint LCD display supports MTBF up to 12,000 hours
- Equipped Gorilla® Glass 3 against scratch
- Built-in 2MP front camera and 5MP back camera
- IP54-Rated with water tolerance enhances operation
- Supports glove and stylus with palm detection to expand usability
- Built-in NFC Reader for various service
- Built-in MSR / IC card reader / 2D barcode scanner (Optional)
- Support optional 4G LTE / 3G service / GPS
- Expandability USB 2.0 Pogo Pins
- Battery supports up to 8 hours operation
- Support 75 cm native free drop protection without external protection
- Supports Android 5.1 & Windows 10 IoT system operation

Introduction

AIM-37 is an industrial-grade mobile point-of-sale (mPOS) system with a built-in barcode scanner and HD Corning® Gorilla® Glass display offering a mean time between failures (MTBF) of up to 12,000 hours. The system design is surprisingly thin (17 mm) with an IP54-rated front panel protection from water and dust, as well as a directly bonded touchscreen with water tolerance and palm rejection for enhanced operation. AIM-37 also supports multiple OS and optional modules configurations for flexible operations. Additionally, AIM-37 can be integrated with various peripherals and flexible installation mounts to support diverse applications.

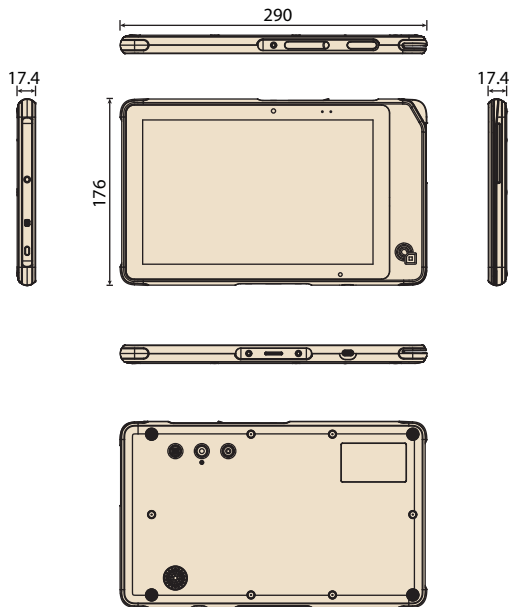
Specifications

Model Name	AIM-37AT- M		AIM-37AT-S	
Processor	CPU	Intel Atom X5-Z8350, quad-core processor, 1.84 GHz		
OS		Windows 10 IoT Enterprise	Windows 10 IoT Enterprise Android 6.0	
Memory		2 GB		
Storage		32 GB		
Audio System		Speaker, 3.5mm headset jack		
Display	Size / Type	10" color touch screen, IPS TFT LCD		
	Glass Type	Corning Gorilla Glass 3 with Native Damage Resistance		
	Max. Resolution	WXGA (1280 X 800)		
	Brightness (cd/m ²)	350 cd/m ² LED back light		
	Bonding	Direct Bonding		
Coating Features	Anti-Glare, Anti-Fingerprint			
	10 Points Capacitive multi touch screen with glove mode; supporting stylus and works when water puddle on the surface			
Touch Panel		10 Points Capacitive multi touch screen with glove mode; supporting stylus and works when water puddle on the surface		
Application Buttons		1 x Power button x 1 1 x Scanner trigger buttons	1 x Power button 1 x Scanner trigger button 1 x Volume Adjustment (+/-)	
I/O Port		1 x MicroSD (up to 32GB) 1 x MicroUSB 2.0 OTG 1 x Pogo Pin (with USB 2.0 host and DC-In) 1 x Kensington-lock for anti-theft	1 x MicroSD (up to 32GB) 1 x MicroUSB 2.0 OTG 1 x Pogo Pin (with USB 2.0 host and DC-In) 1 x Kensington-lock for anti-theft 1 x Micro SIM (optional)	
Communication	WLAN	Internal 802.11b/g/n WLAN Module		
	Bluetooth	3.0HS+4.0LE		
	RFID	13.56 MHz; ISO 14443 Type A/B; ISO/IEC 15693; MIFARE; NFC		
	MSR	3-Track MSR with 3-DES encryption; Built-in Triple DES and AES Encryption; DUKPT key management	N/A	
	IC Card Reader	5V smart card; ISO/IEC 7816-1, 2, 3, 4; T=0 & T = 1;	N/A	
	WWAN	N/A	Optional internal 4G/3G Module	
Sensors	G-Sensor, Ambient Light Sensor			
Data Collection		1D/2D barcode scanner (optional), 5M pixel auto-focus main camera and 2M pixel fixed-focus front camera		
Dimensions		290 x 176 x 17.4 mm		
Weight with Battery		915g	900g	
Power	Battery	Li-Polymer battery, 3.8V@7900 mAh		
Environment	Operating Temperature	0 - 40° C		
	Storage Temperature	-20 - +60° C		
	Operating Humidity	5% - 95%, non-condensing		
IP Certification		IP54 (without MSR and ICC Readers)	Full set IP54	
Package Bundle		Power Adapter (5V, 3A) MicroUSB data power cable		
Certifications		CCC, NCC, CE, FCC, BSMI		

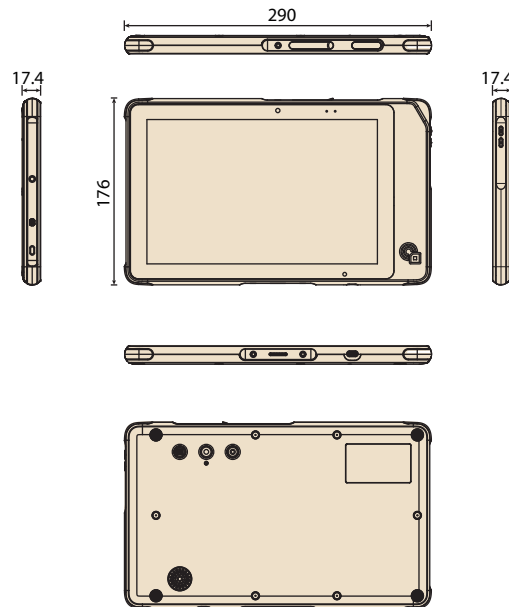
Dimensions

Unit: mm

AIM-37AT-M



AIM-37AT-S

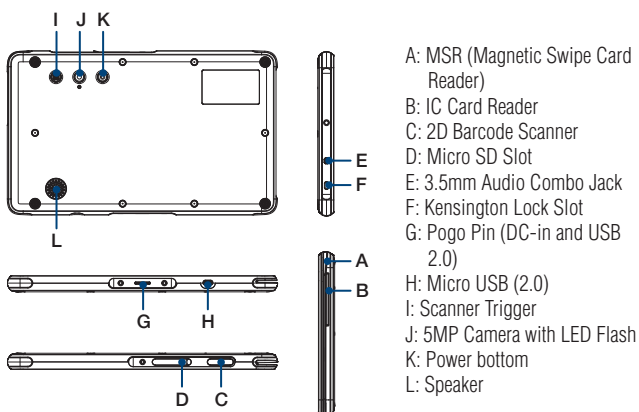


Ordering information

P/N	Description
AIM-37AT-MOST0	10.1" Tablet POS with embedded MSR/IC Card Reader and barcode scanner; Windows 10 IoT Enterprise
AIM-37AT-S0ST0	10.1" Tablet POS with Windows 10 IoT Enterprise OS
AIM-37AT-S0ST1	10.1" Tablet POS with Android 6.0 OS

Fully-Integrated I/O

AIM-37AT-M



AIM-37AT-S

